

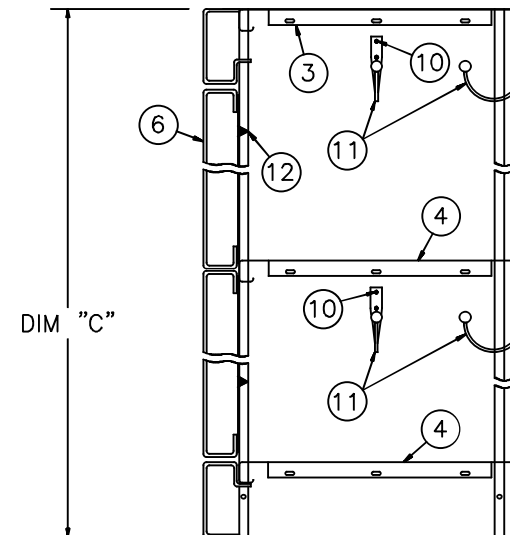
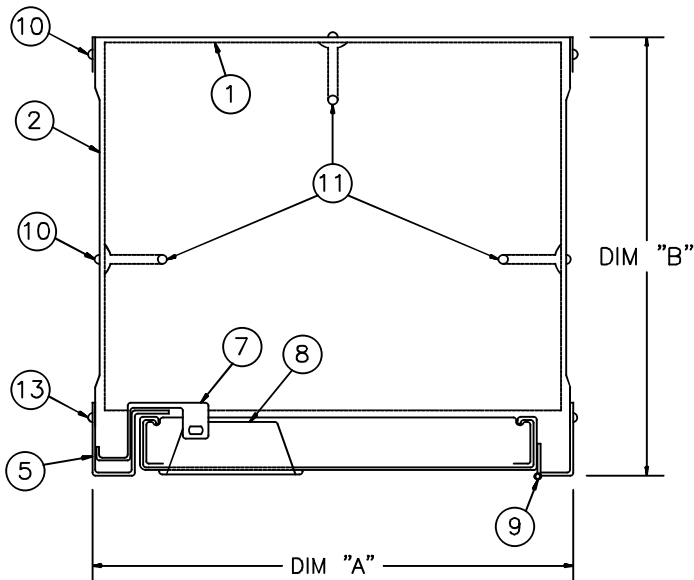
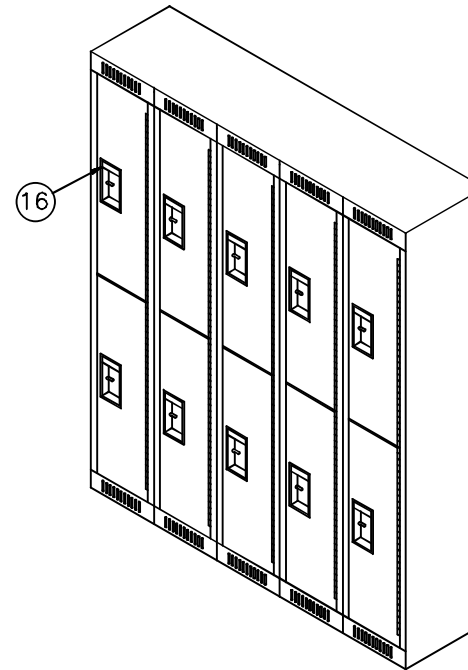
ELITE FLUSH DOOR LOCKER PARTS

NO.	DESCRIPTION	GAUGE	
1	BACK PANEL	20	(0.91MM)
2	SIDE PANEL (REVERSIBLE)	20	(0.91MM)
3	TOP SHELF	16	(1.52MM)
4	INTERMEDIATE & BOTTOM SHELF	16	(1.52MM) GALVANNEAL
5	DOOR STRIKE FRAME	16	(1.52MM)
6	DOOR (LINER 20 GAUGE (0.91MM))	14	(1.90MM)
7	HASP	12	(2.66MM)
8	STAINLESS STEEL POCKET		
9	CONTINUOUS HINGE & FRAME	16	(1.52MM)
10	RIVET		
11	COAT HOOK		
12	DOOR BUMPER - 2 PER DOOR		
13	#8 x 5/8" BOLT & NUT		
14			
15			
16	NUMBER PLATE & DOOR PULL		

EXTRA & SPECIAL PARTS

27  
28

DIM "A"      DIM "B"      DIM "C"



GENERAL STORAGE SYSTEMS

2995 PAGE STREET, LONDON  
ONTARIO, CANADA, N5V 4P6  
PHONE: (519) 453-5910  
FAX: (519) 455-0037

PROJECT:

STYLE:  
*TYPICAL DOUBLE TIER  
ELITE LOCKER*

CUSTOMER:

QUOTE NO:

ARCH/ENG/CONT:

REVISION NO:

DATE: OCTOBER 8, 2015

SCALE: NOT TO SCALE

DESIGNED BY:

APPROVED BY:

DRAWN BY:

DRAWING No:

SHEET 1 OF 1

DIMENSIONS MUST NOT BE SCALED,  
ALL MEASUREMENTS MUST BE  
CHECKED AND VERIFIED AND ALL  
ERRORS SHALL BE REPORTED TO GSS  
PRIOR TO PROCEEDING WITH JOB.

ALL PRINTS OF SPECIFICATIONS AND  
PLANS ARE THE PROPERTY OF  
GENERAL STORAGE SYSTEMS MFG LTD  
AND NOT TO BE COPIED OR USED  
WITHOUT WRITTEN PERMISSION.